

RUGGED STEEL BATTERY CLIPS

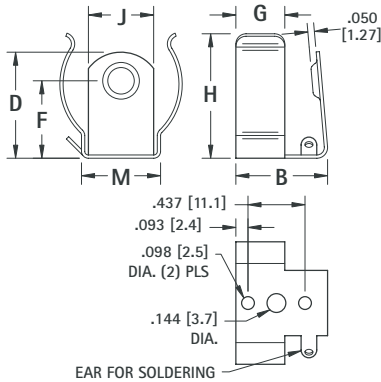
For "AA" • "C" • "D"



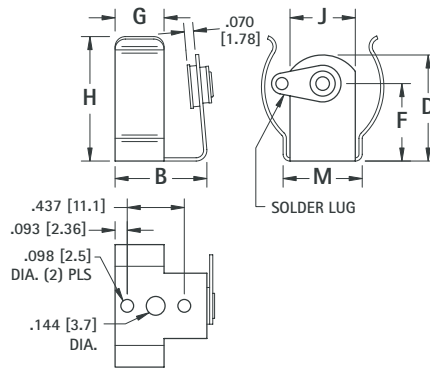
86
89
99

SPECIFICATIONS Clips: Spring Steel, Nickel Plate **Contact Eyelets:** Brass, Nickel Plate
Insulating Washers: Moisture Proof, Resin Impregnated Fibre **Solder Lugs:** Brass, Tin Plate

- Available with insulated or non-insulated contact. Positive contact grips battery securely.



DWG. 1
Non-Insulated Contact



DWG. 2
Insulated Contact



87
88
100

CAT. NO.	DWG. NO.	B	C	D	F	G	H	J	M	STEEL THICKNESS	BATTERY DIAMETER MIN. - MAX.	CELL SIZE
86	1	.703 (17.9)	.391 (9.9)	.812 (20.6)	.593 (15.1)	.375 (9.5)	.937 (23.8)	500 (12.7)	.605 (15.4)	.020 (.51)	.875 to 1.125 (22.2 to 28.6)	"C"
87	2											
88	2	.775 (19.7)	.463 (11.8)	1.075 (27.3)	.750 (19.1)	.437 (11.1)	1.187 (30.1)	500 (12.7)	.609 (15.5)	.020 (.51)	1.187 to 1.350 (30.1 to 34.3)	"D"
89	1											
99	1	.703 (17.9)	.391 (9.9)	.609 (15.5)	.375 (9.5)	.375 (9.5)	.609 (15.5)	.312 (7.9)	.353 (9.0)	.015 (.39)	.531 to .650 (13.5 to 16.5)	"AA"
100	2											

BATTERY RETAINER CLIPS

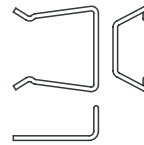
- Prevents battery from loosening in battery holder
- Retainer clip slips on the ears of the battery holder clip



Retainer for "AA" or cells with diameters of .532 (13.5) to .562 (14.3). Used with Keystone Battery Clips Cat. No. 91, 92, 95, 99, 100 and 2915.

MATERIAL: Stainless Steel

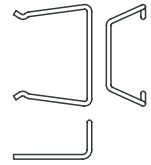
CAT. NO. 61



Retainer for "C" cells or similar size batteries to 1.032 (26.2) diameter. Used with Keystone Battery Clips Cat. No. 86, 87, 93 and 222.

MATERIAL: Spring Steel, Nickel Plate

CAT. NO. 62



Retainer for "D" cells or similar size batteries to 1.343 (34.1) diameter. Used with Keystone Battery Clips Cat. No. 88, 89 and 94.

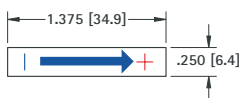
MATERIAL: Spring Steel, Nickel Plate

CAT. NO. 63

POLARITY INDICATING LABEL

- No Gluing or Wetting Needed
- Pressure Sensitive Adhesive Back
- Economical
- Adheres To All Surfaces

Recommended where proper polarity of battery insertion or circuit polarity is to be shown. Labels are two color, (+) positive side red; arrow, (-) negative side blue.

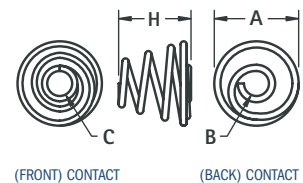


CAT. NO. 58

BATTERY SPRING CONTACTS

For "A" • "AA" • "C" • "D"

Easy to assemble with eyelets or rivets. Refer to page 124.



CAT. NO.	H	A	B	C	MATERIAL	CELL SIZE
211	.290 (7.4)	.335 (8.5)	.100 (2.5)	.140 (3.6)	.025 (.64) Dia. Spring Steel, Nickel Plate	"A" • "AA"
211-D	.850 (21.6)	.650 (16.5)	.162 (4.1)	.300 (7.6)	.040 (1.0) Dia. Spring Steel, Nickel Plate	"C" • "D"

INSULATED POLARIZING WASHERS

Prevents improper connection of battery which may cause damage to electronic equipment. Washers hold securely when snapped over eyelets. Used on our standardized battery holders. For "AA", "C" & "D" cells.



CAT. NO. 59 (RED)

CAT. NO. 60 (BLACK)

MATERIAL: Molded Polyethylene